

WM[®] MOTORS VERNIS

OZONE GENERATORS:

Models and functionalities

Purification of environments

VERNIS MOTORS, S.L.

Tel. (+34) 93 710 52 68

comercial@vernismotors.com

www.vernismotors.com

CONTENT

1.- INTRODUCTION.....	3
2.- MODELS.....	4
2.1 OZONE GENERATOR 10 g/h.....	5
2.2 OZONE GENERATOR 20 g/h.....	6
2.3 OZONE GENERATOR 40 g/h.....	7
3.- MECHANICAL TIMER MODULE.....	8
4.- DIGITAL PROGRAMMING MODULE.....	9
5.- Wi-Fi PROGRAMMING MODULE.....	10



1. Introduction

The GO10, GO20 and GO40 ozone generators have been designed to carry out intensive ozone treatments, in order to disinfect, deodorize, renew, purify air and all the surfaces of the materials that are in the cabin to be treated.

Our model range consists of three high-quality generators. These ozone generators are made of satin stainless steel and offer industry leading durability as well as excellent finishes.



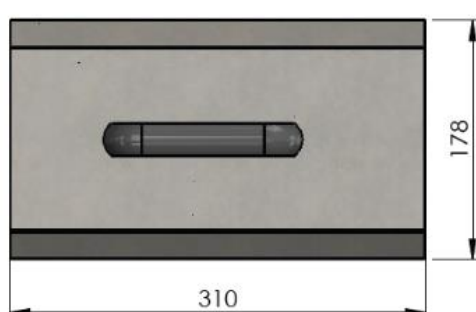
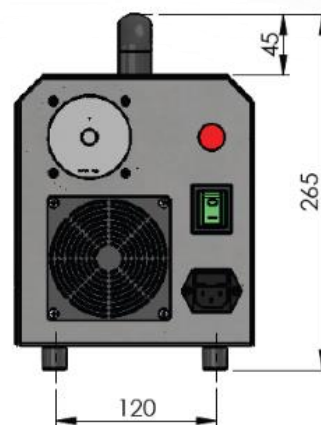
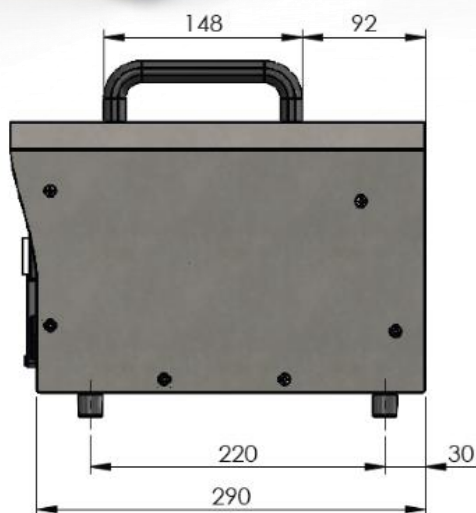
2. Models

The GO10, GO20 and GO40 ozone generators are available in three different configurations: equipped with a mechanical timer, a digital programmable timer and a Wi-Fi programmable timer commanded by a mobile application.



2.1. OZONE GENERATOR 10 g/h

The GO10 ozone generator is the ideal model for small rooms, both industrial and domestic, or for use inside vehicles. Its compact design makes it a perfect desktop solution. It is characterized by generating an emission of 10 grams of ozone per hour of operation and by the low noise it generates in operation thanks to its reduced fan. The GO10 generator fan is capable of driving 95 cubic meters of air per hour. This model is available with a mechanical timer, programmable digital timer and programmable Wi-Fi timer through the mobile application.



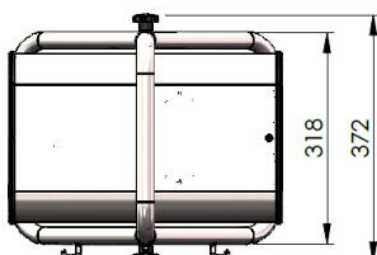
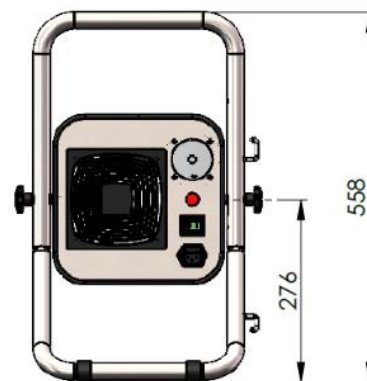
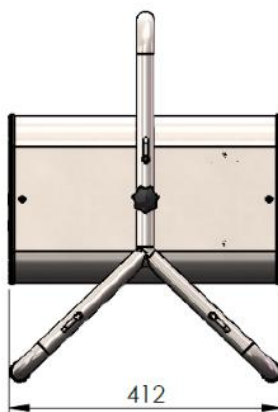
2.2. OZONE GENERATOR 20 g/h

The GO20 ozone generator is the model designed for standard use in rooms such as offices, large rooms, dining rooms, toilets or everyday places with a higher bacterial concentration. It is a model that offers a very good size-generation ratio, which makes it the most versatile ozone generator for common uses. The GO20 generator fan is capable of driving 95 cubic meters per hour of air. This model is available with a mechanical timer, programmable digital timer and programmable Wi-Fi timer through the mobile application.



2.3. OZONE GENERATOR 40 g/h

The GO40 ozone generator is the most powerful in the range. It is focused for a purely industrial use with the ability to move large amounts of air per hour, specifically, up to 880 cubic meters of air per hour. This model is completely redesigned with respect to the GO10 and GO20 models to adapt to a much more industrial use. Its design is characterized by its robustness and practicality, since it allows directing the air flow 180° vertically. This model is available with a mechanical timer, programmable digital timer and programmable Wi-Fi timer through the mobile application.



3. Mechanical timer module

All models can be supplied with a mechanical timing module. This module is characterized by its easy and intuitive operation. Selecting the run time is as simple as turning the dial clockwise and stopping it at the desired value. This timer can be programmed for up to 30 or 120 minutes of operation.



4. Digital programming module

All models can be supplied with a digital programming module. This module allows you to program the start time and end time on a weekly basis. Thanks to the fact that this timer is connected to the general power supply, it is not necessary to carry out any maintenance or change the batteries.



5. Wi-Fi programming module

All models can be supplied with a Wi-Fi programming module. It is the most practical solution for fully reliable telematic use. The module connects directly to the network in the environment and through the mobile application the ozone generator can be programmed or activated / deactivated instantly, as long as both devices are within range of the associated network. This feature allows the generator to be controlled at any time without having to physically access the compartment to be disinfected.

